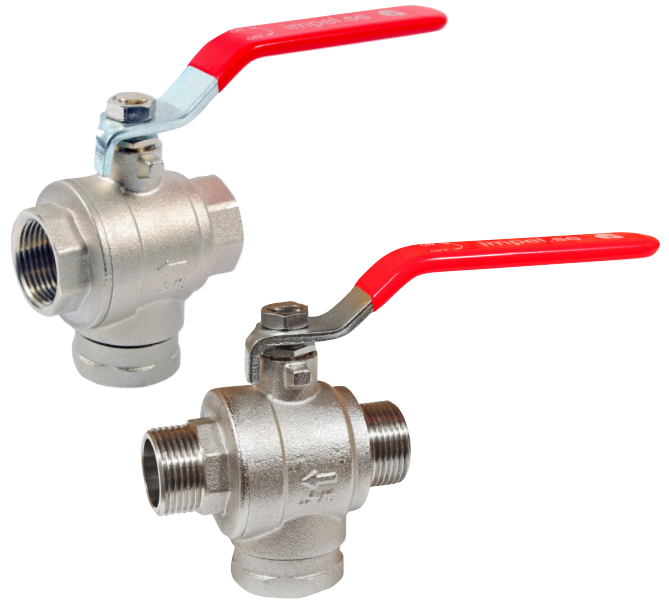


## Filter ball valve 480 - 484

- Body in nickel-plated brass
- Female thread 3/4" - 2"
- Male thread 3/4" - 1 1/4"
- Changeable stainless strainer insert
- Lever or T-handle



### Description

Ball valve with strainer insert.

### Construction

Ball valve in nickel-plated brass. Changeable strainer insert, mesh 0,6 mm. Gaskets in PTFE. Seals in EPDM between cap and body.

Model 480

Connection female thread 3/4" - 1", steel lever.

Model 480K

Connection female thread 3/4" - 1", key grip.

Model 481

Connection female thread 3/4" - 1", T-handle.

Model 484

Connection male thread 3/4" - 1 1/4", steel lever.

Also available with T-handle.

### Marking

DN, PN and flow direction arrow. Company logotype on lever.

### Maintenance

Close the valve and clean the strainer insert when necessary. The ball valve must be operated periodically, two to three times a year. For more information, please see Impel's website.

### Technical data

Body	Nickel-plated brass CW617N
Ball seal	PTFE
Stem gasket	PTFE
Strainer insert	Stainless steel SS304
Cap seal (o-ring)	EPDM
Cap seal (gasket)	EPDM

Maximum working pressure: 16 bar

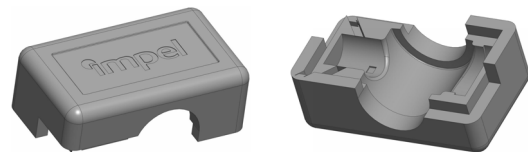
Maximum working temperature: 100°C

Minimum working temperature: -20°C

Kv values: see chart on next page.

### Optional accessories

Insulation for 480, 480K and 484.



1" 0752100225

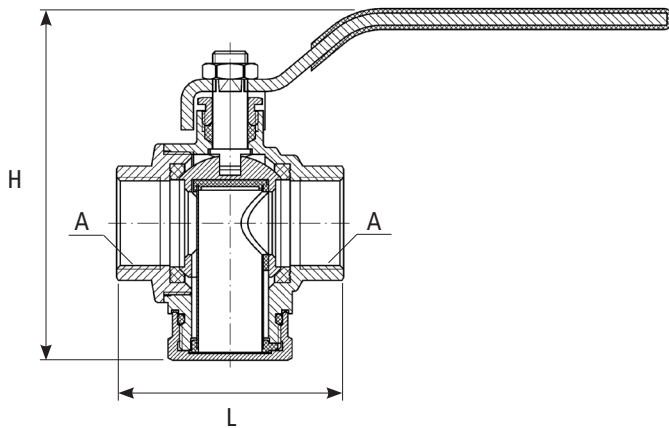
1 1/4" 0752100232

Other sizes on request. For other accessories and spare parts see separate product sheet.

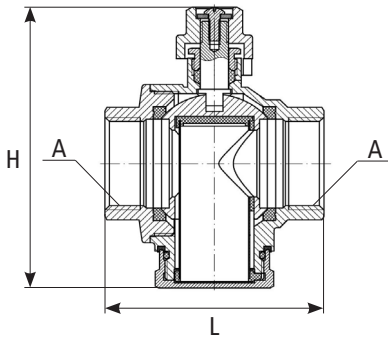
*Subject to technical changes and corrections without notice*

## Filter ball valve 480 - 484

### 480



### 480K



Item number	Description	Connection thread A	Length L	Height H	Kv (m <sup>3</sup> /h)	Weight (kg per piece)
0448002000	Filter ball valve 480-20, 3/4" F, lever	3/4" F	65	101	7,1	0,54
0448002500	Filter ball valve 480-25, 1" F, lever	1" F	78	113	12,6	0,81
0448003200	Filter ball valve 480-32, 1 1/4" F, lever	1 1/4" F	87	140	24,7	1,28
0448004000	Filter ball valve 480-40, 1 1/2" F, lever	1 1/2" F	108	146	36,8	2,02
0448005000	Filter ball valve 480-50, 2" F, lever	2" F	127	191	62,7	3,77

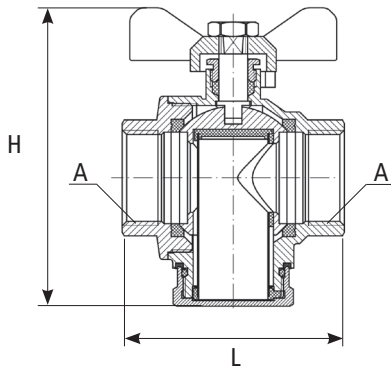
Item number	Description	Connection thread A	Length L	Height H	Kv (m <sup>3</sup> /h)	Weight (kg per piece)
0448002001	Filter ball valve 480K-20, 3/4" F, key grip	3/4" F	65	93	7,1	0,55
0448002501	Filter ball valve 480K-25, 1" F, key grip	1" F	78	103	12,6	0,83
0448003201	Filter ball valve 480K-32, 1 1/4" F, key grip	1 1/4" F	87	122	24,7	1,31
0448004001	Filter ball valve 480K-40, 1 1/2" F, key grip	1 1/2" F	108	138	36,8	2,02
0448005001	Filter ball valve 480K-50, 2" F, key grip	2" F	127	177	62,7	3,77

All dimensions in millimetres

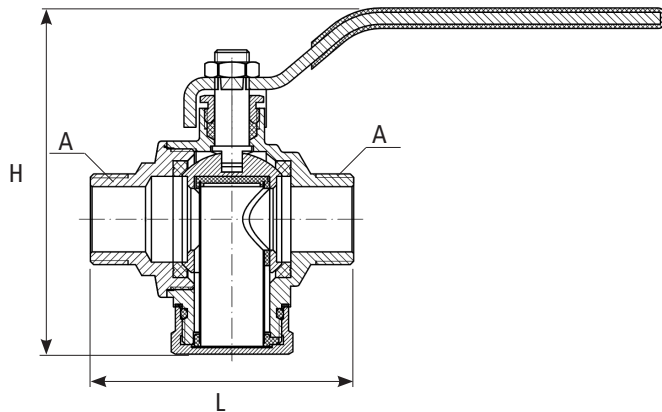
Subject to technical changes and corrections without notice

## Filter ball valve 480 - 484

### 481



### 484



Item number	Description	Connection thread A	Length L	Height H	Kv (m <sup>3</sup> /h)	Weight (kg per piece)
0448102000	Filter ball valve 481-20, 3/4" F, T-handle	3/4" F	65	90	7,1	0,50
0448102500	Filter ball valve 481-25, 1" F, T-handle	1" F	78	101	12,6	0,78

Item number	Description	Connection thread A	Length L	Height H	Kv (m <sup>3</sup> /h)	Weight (kg per piece)
0448402000	Filter ball valve 484-20, 3/4" M, lever	3/4" M	77	101	7,1	0,57
0448402500	Filter ball valve 484-25, 1" M, lever	1" M	89	113	12,6	0,86
0448403200	Filter ball valve 484-32, 1 1/4" M, lever	1 1/4" M	102	140	24,7	1,38

All dimensions in millimetres

Subject to technical changes and corrections without notice